



(19) **United States**

(12) **Patent Application Publication**

Sirek et al.

(10) **Pub. No.: US 2012/0211636 A1**

(43) **Pub. Date: Aug. 23, 2012**

(54) **ADJUSTMENT DEVICE AND SYSTEM**

(52) **U.S. Cl. 248/544**

(76) **Inventors: Andrew Sirek, Sarona, WI (US);
Colton Sirek, Sarona, WI (US)**

(57) **ABSTRACT**

(21) **Appl. No.: 13/104,628**

(22) **Filed: May 10, 2011**

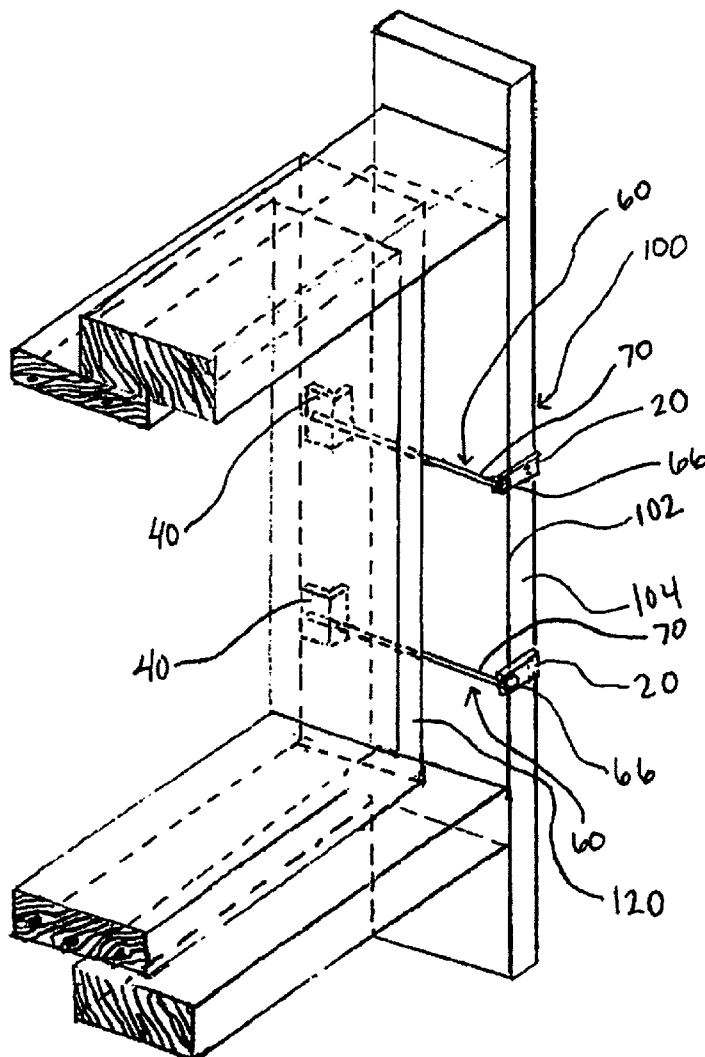
The invention includes an alignment device and system having a guide member, a support member and a connector which engages the guide member and the support member. The guide member may be a relatively flat piece attachable to an edge of a frame. In one aspect the guide member includes a perimeter slot. The support member may have a first portion generally perpendicular with a second portion and the first portion may be attached to an object (or integral with an object such as a window or door casing) which is to be aligned with a frame. The second portion may have a connector portion or threaded hole for receiving a connector. The connector may also engage the slot of the guide member. The device allows for desired alignment of an object within a frame by transferring rotational movement to linear movement.

Related U.S. Application Data

(63) Continuation-in-part of application No. 12/706,234, filed on Feb. 16, 2010.

Publication Classification

(51) **Int. Cl. F16M 13/02 (2006.01)**



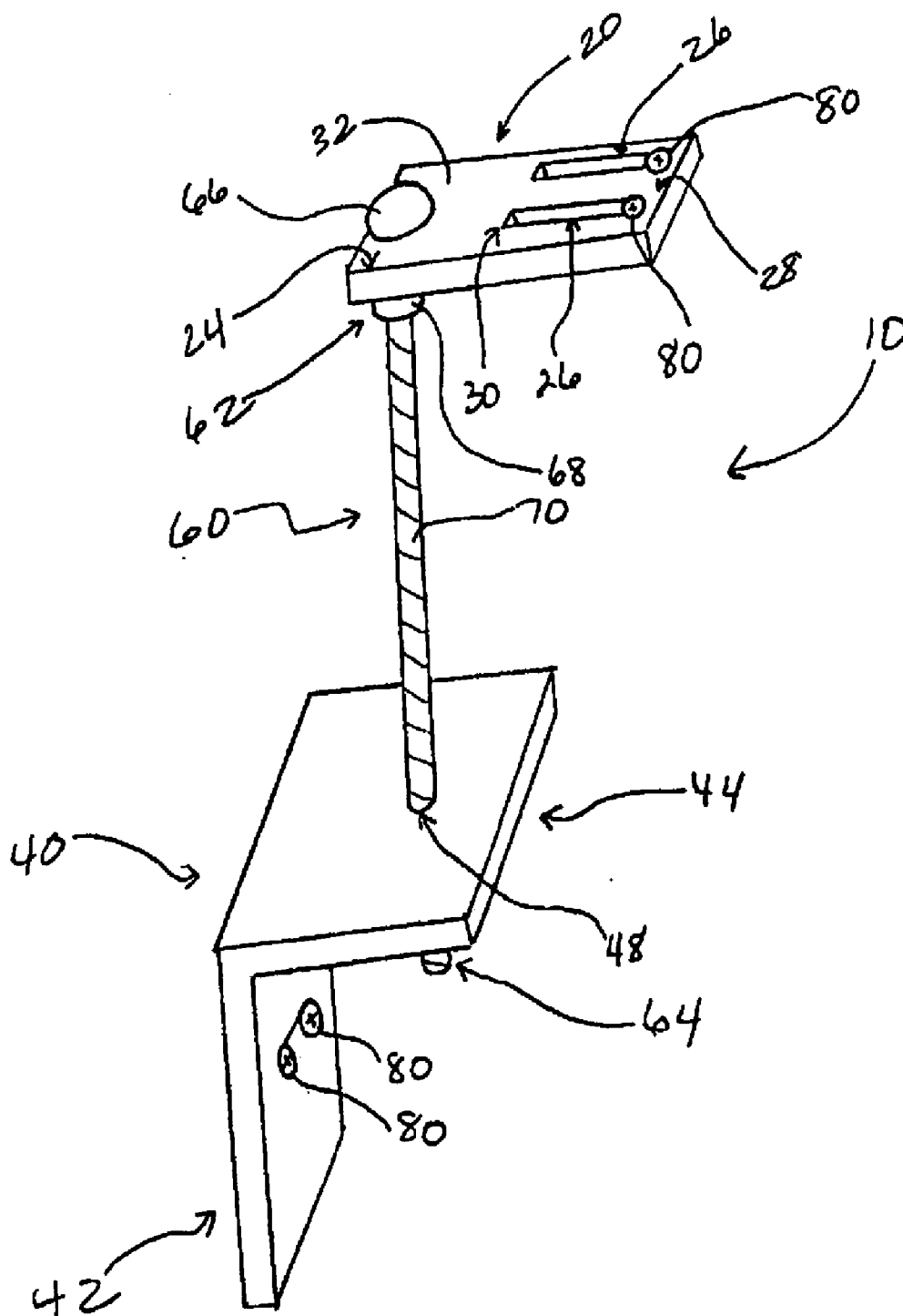


Fig. 1

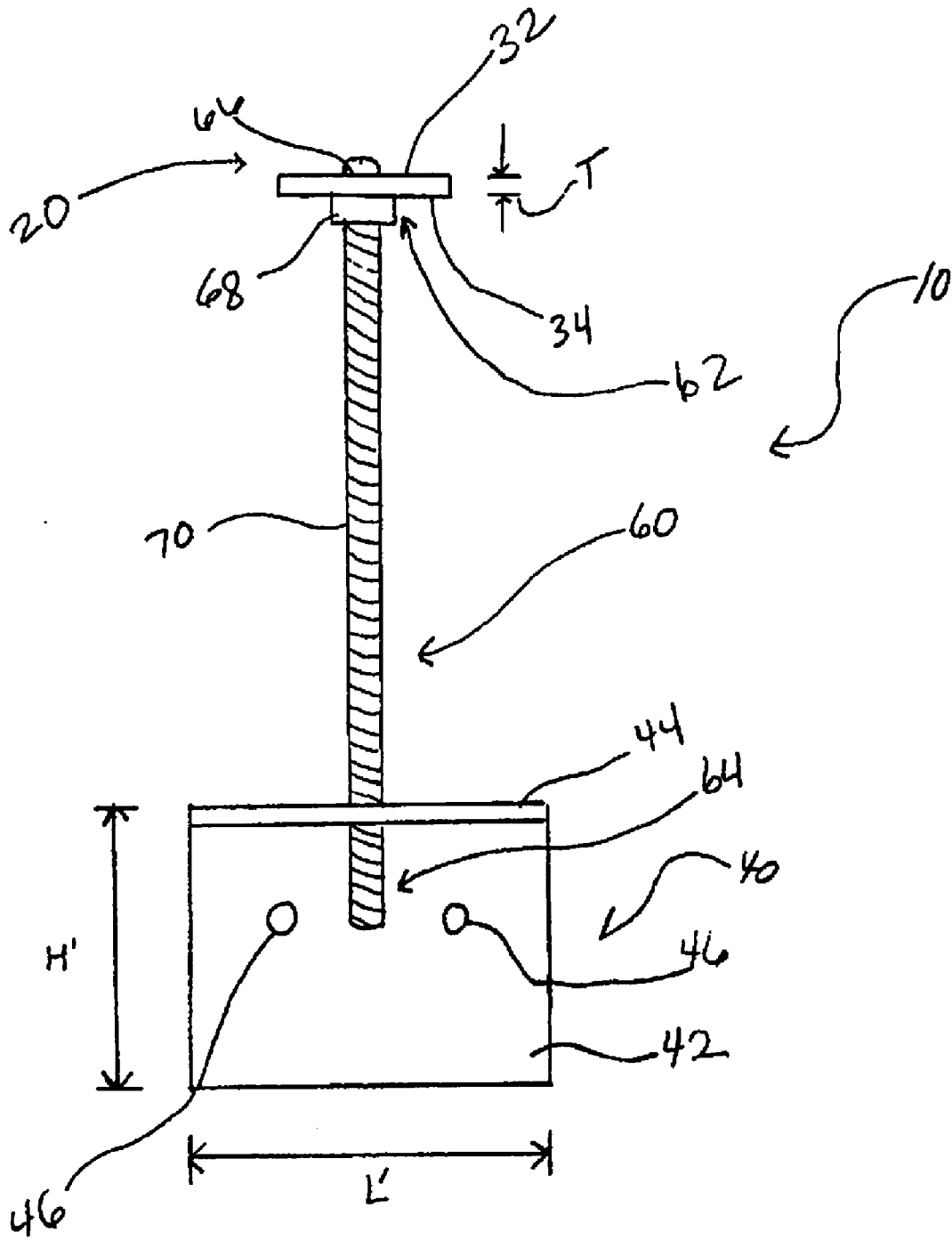


Fig. 2

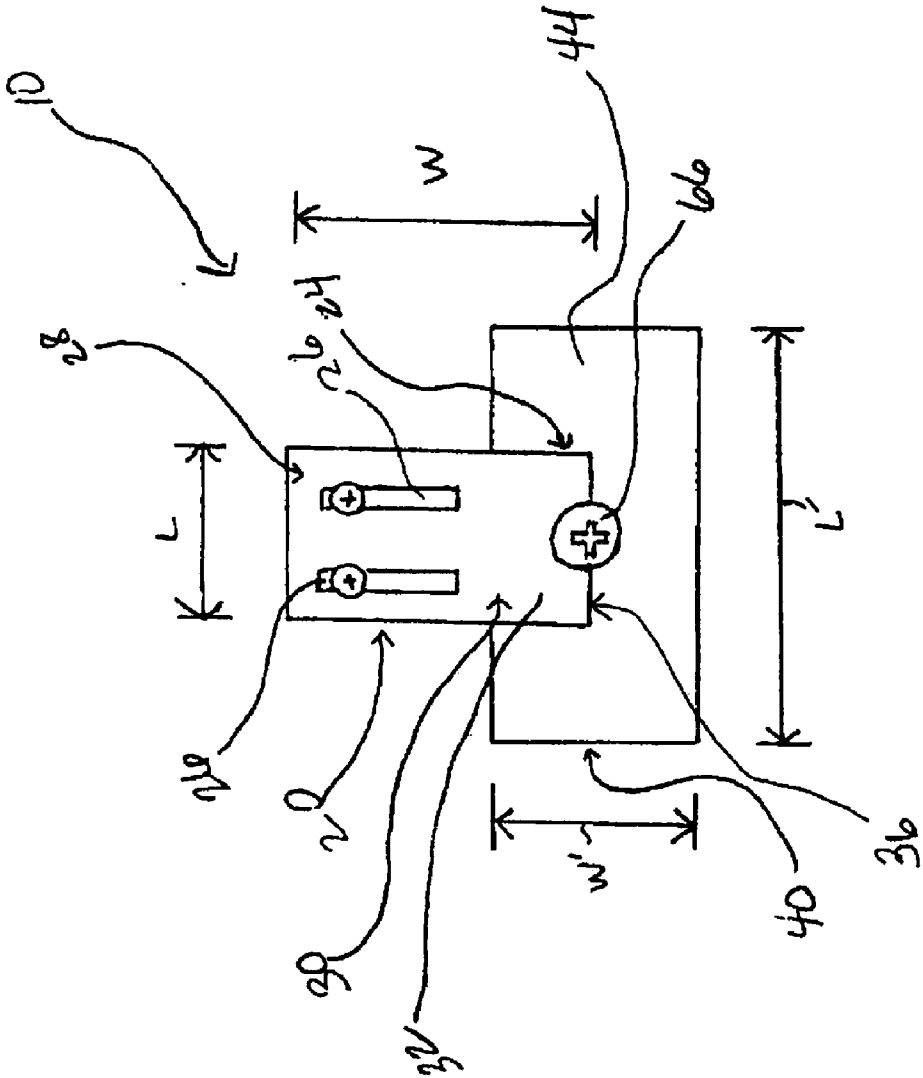


Fig. 3

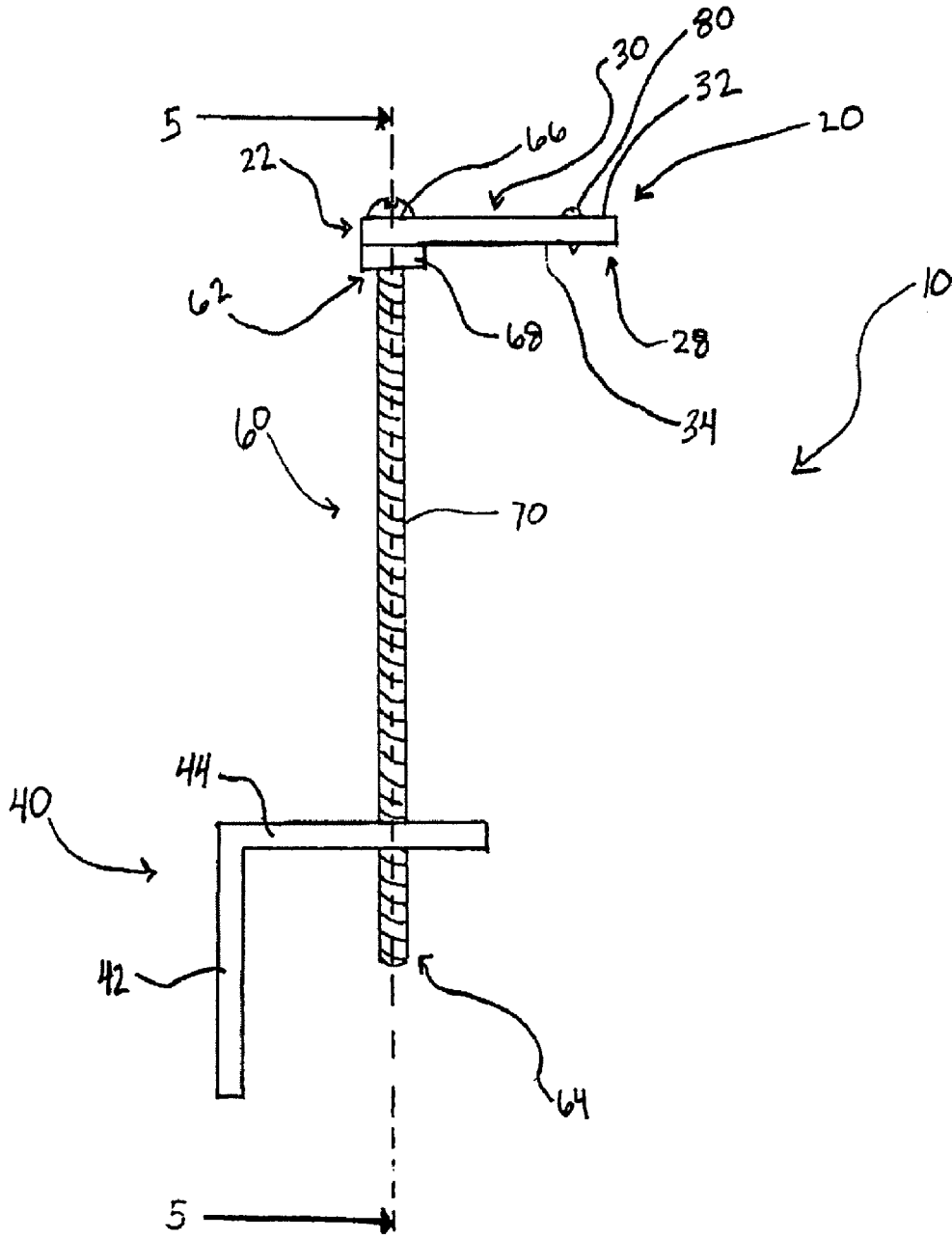


Fig. 4

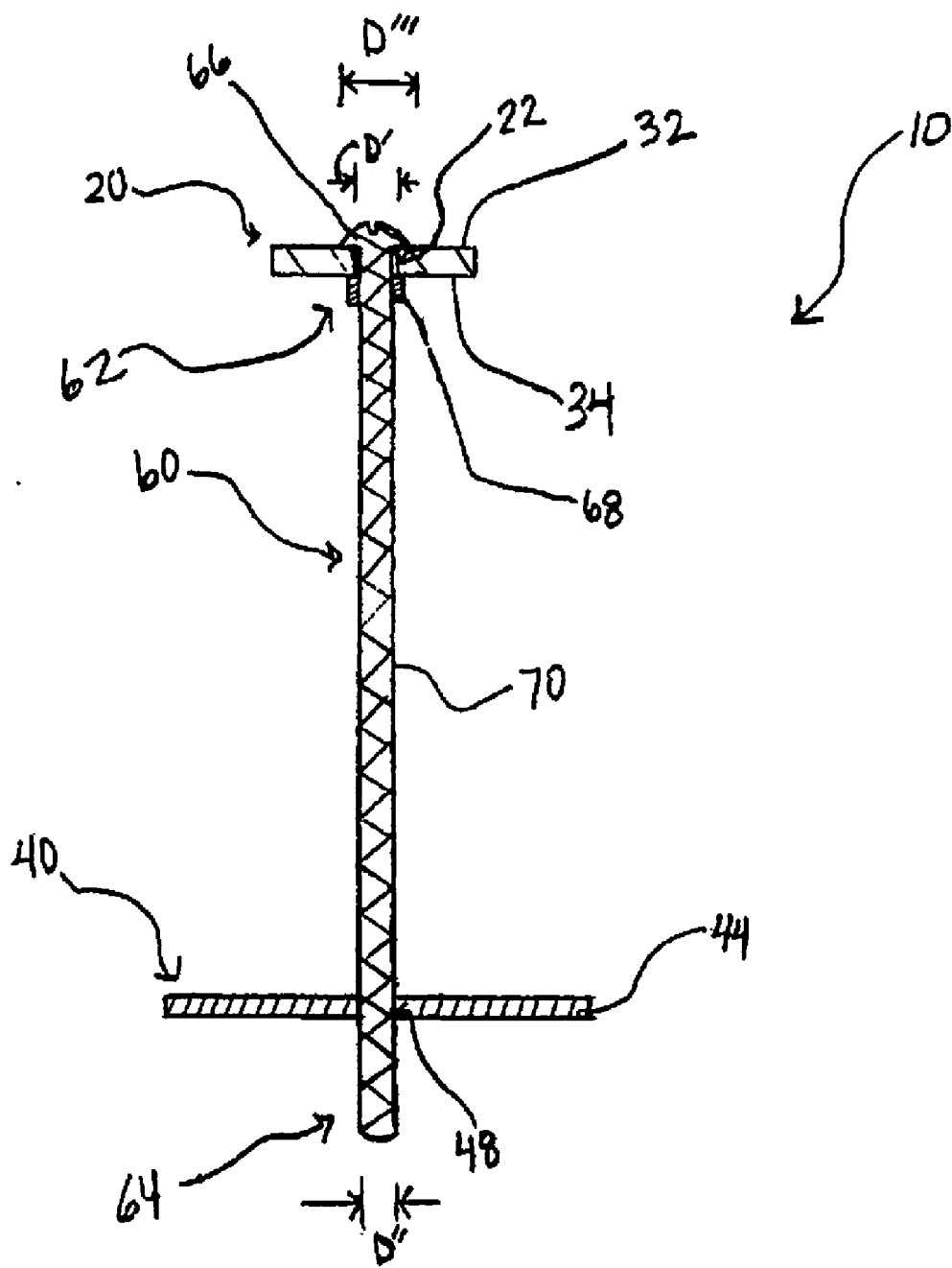


Fig. 5

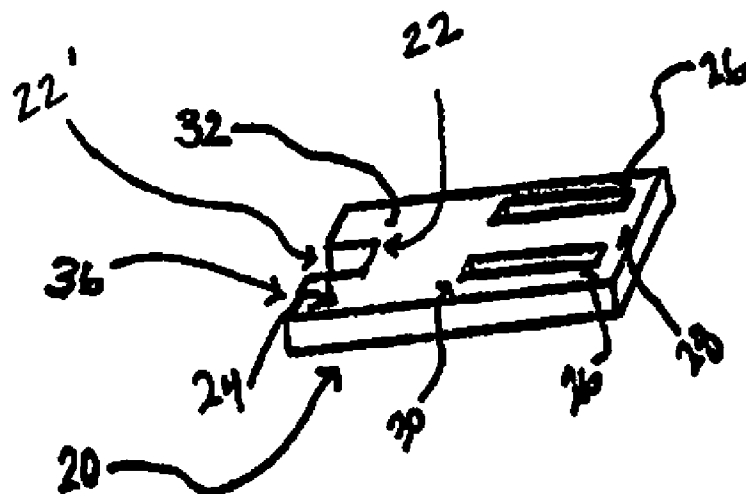


Fig. 6

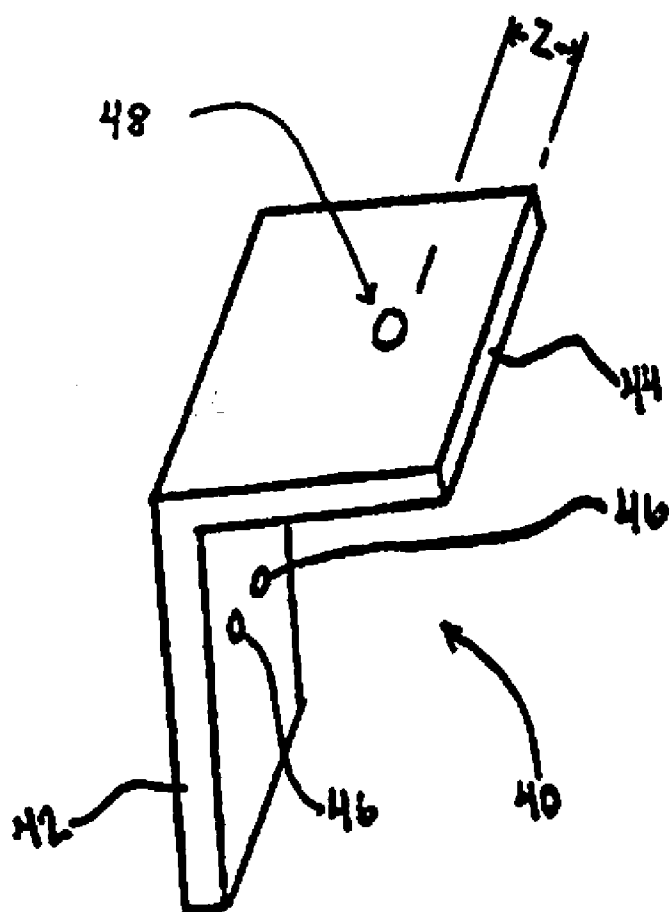


Fig. 7

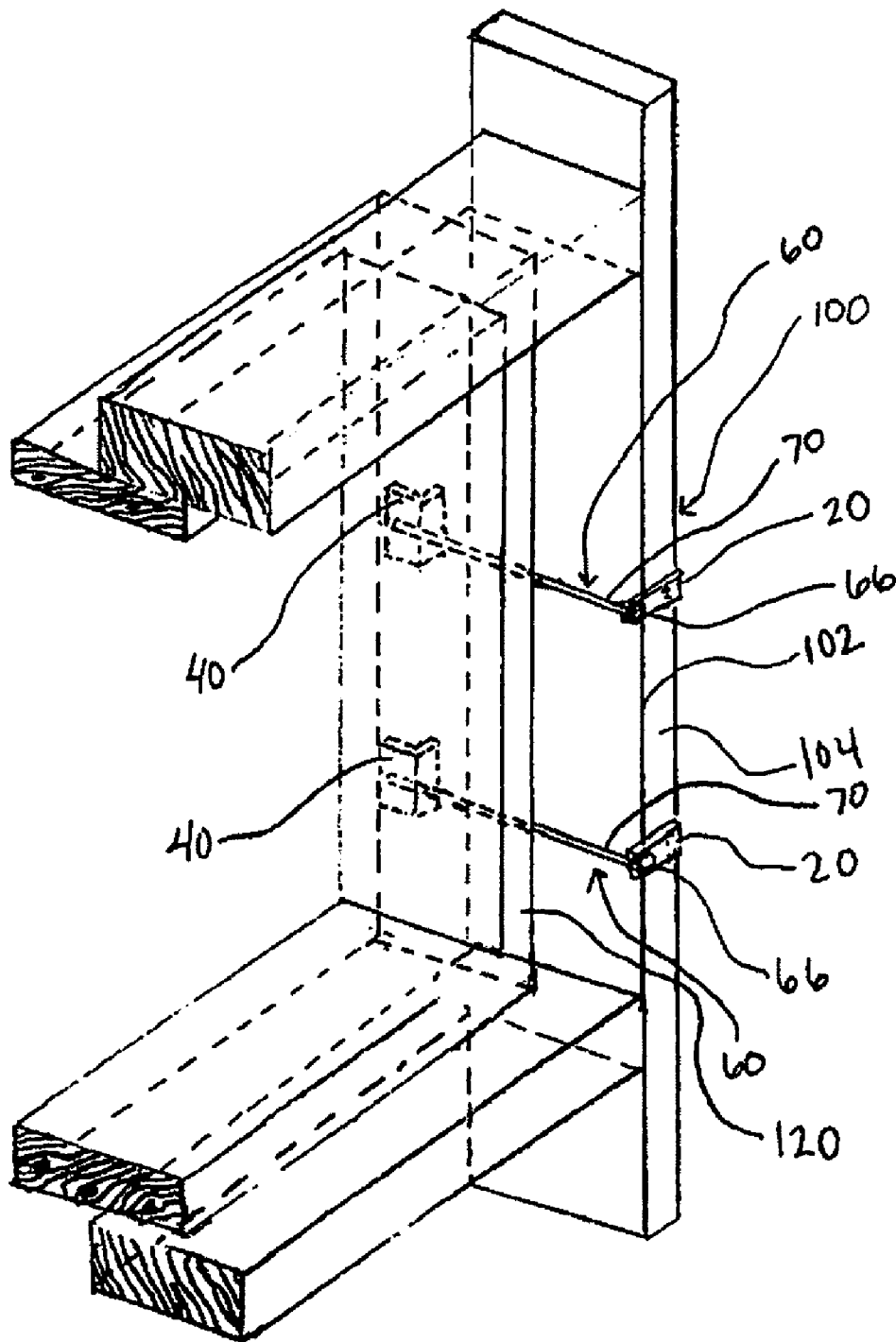


Fig. 8

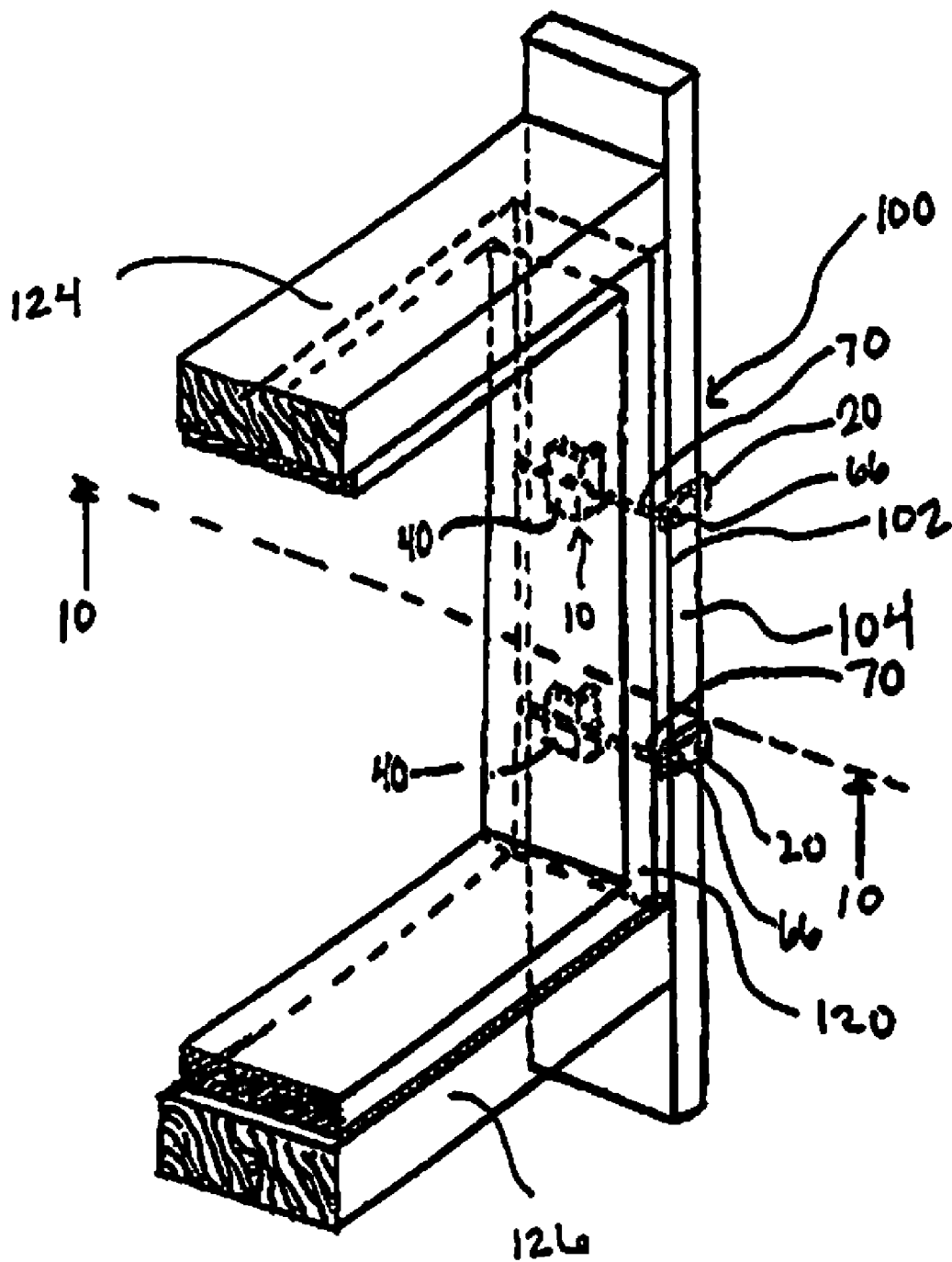


Fig. 9

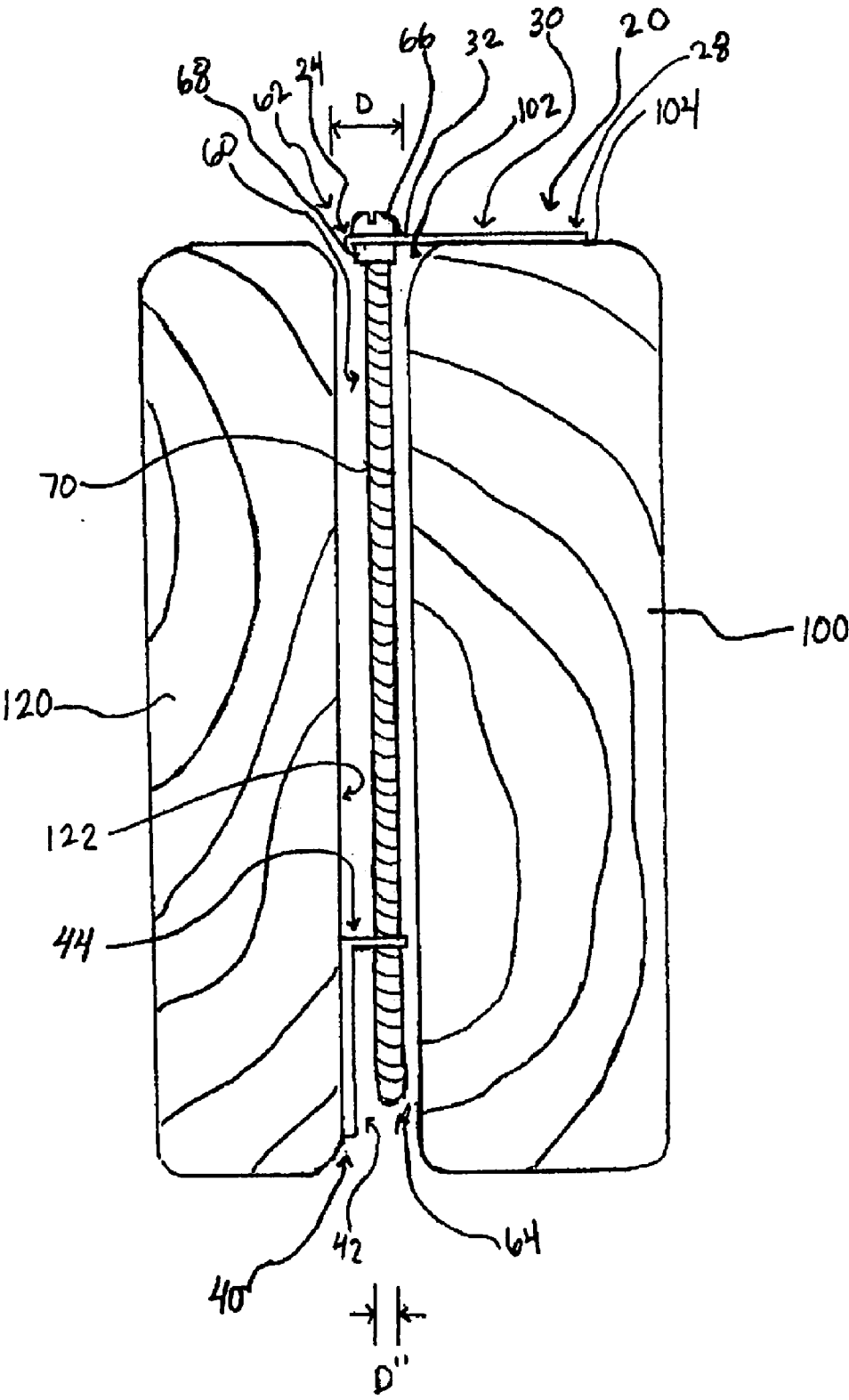


Fig. 10

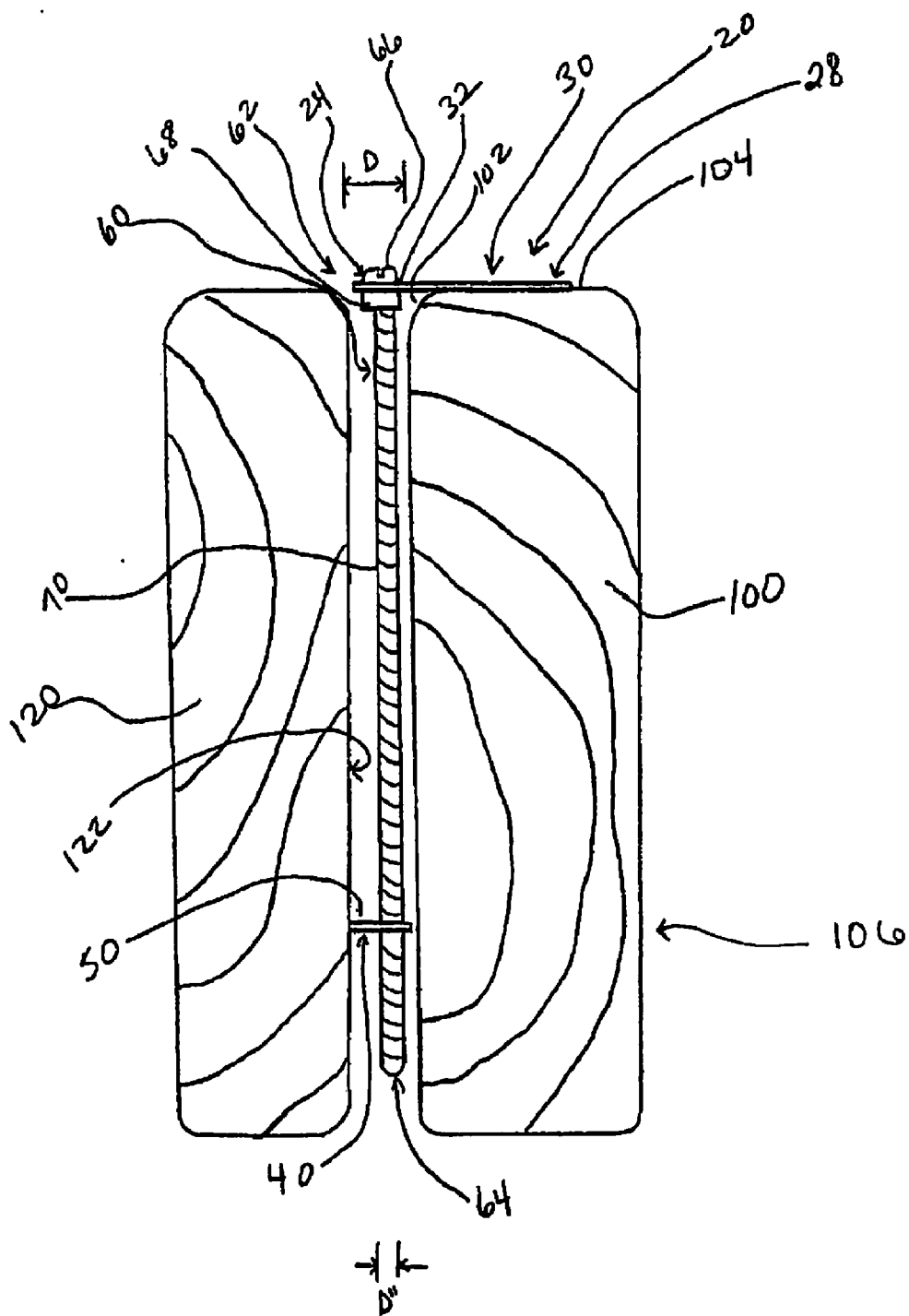


Fig. 11

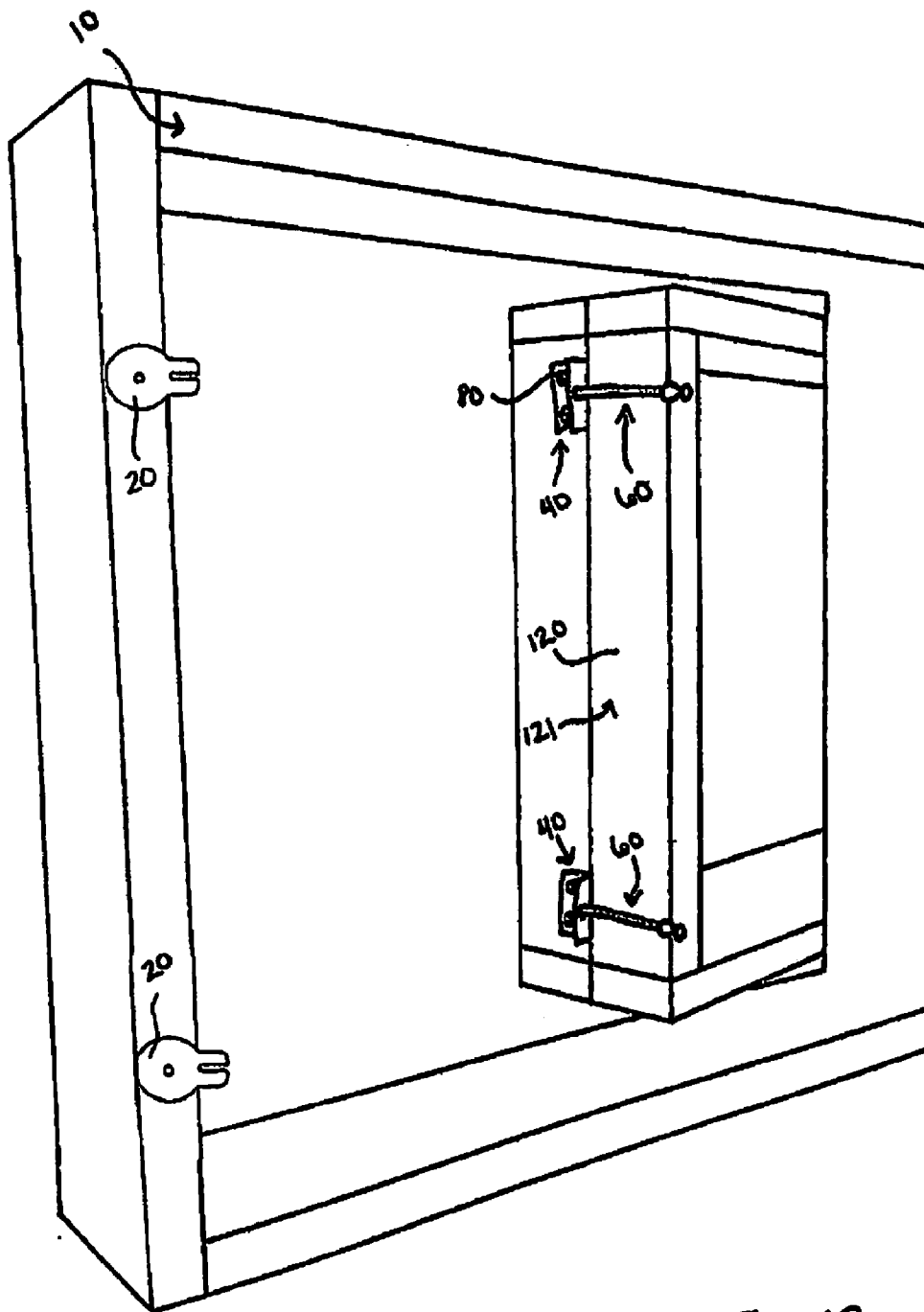


Fig. 12

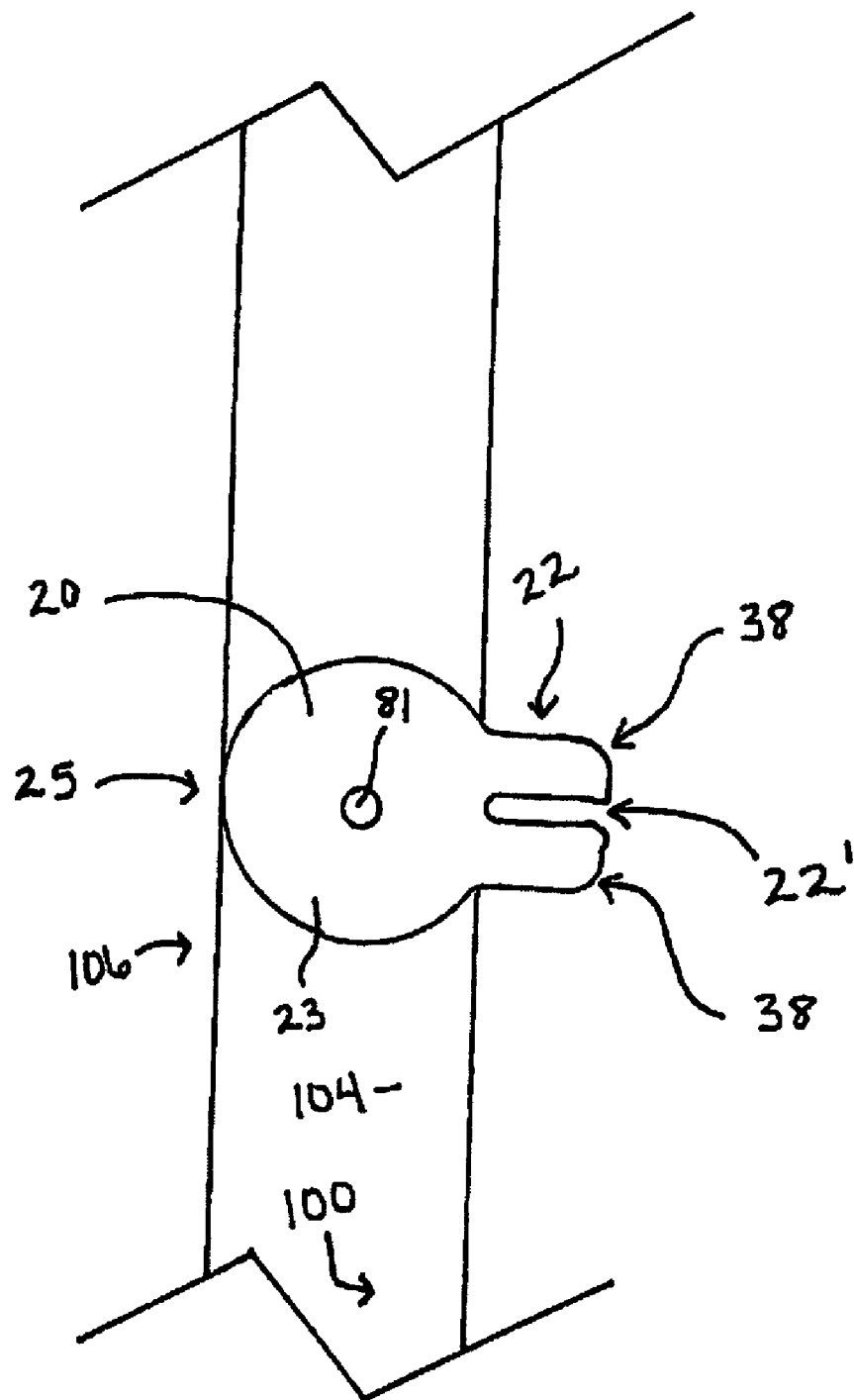


Fig. 13

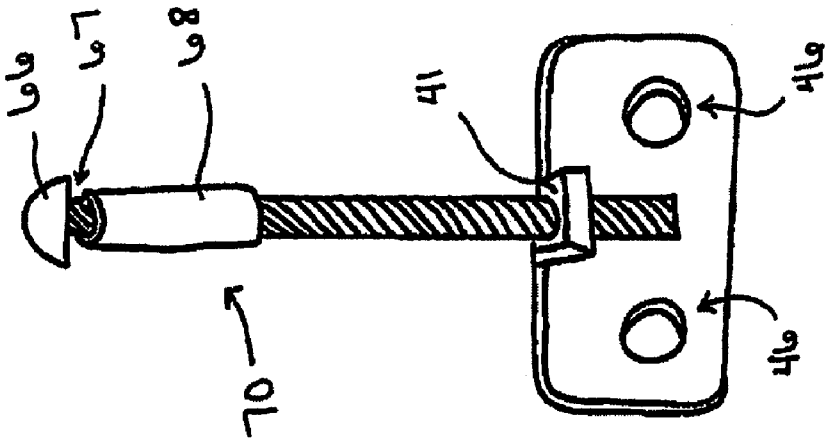


Fig. 14b

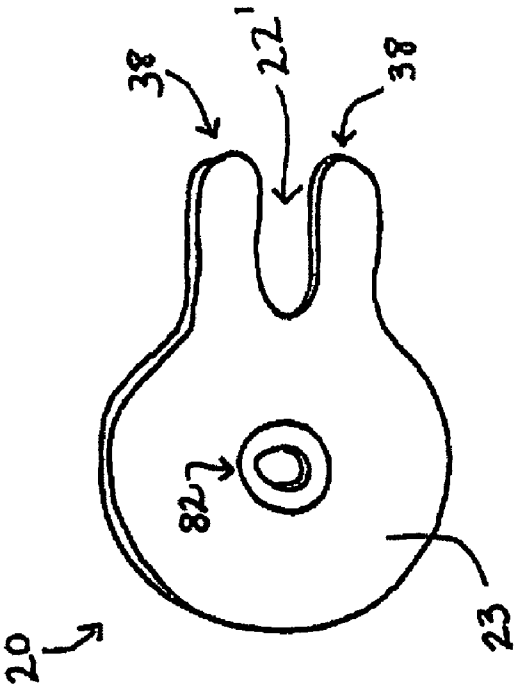


Fig. 14a

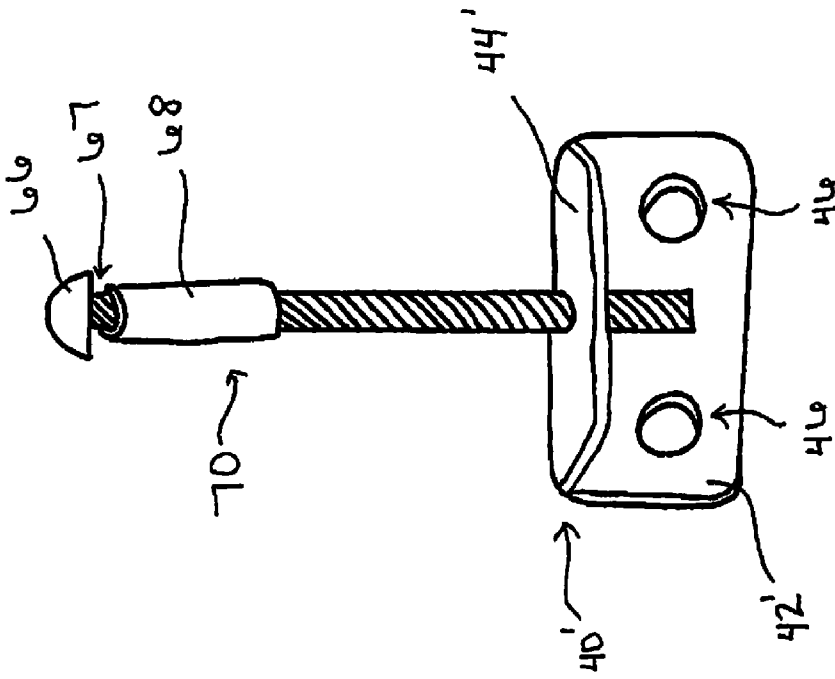


Fig. 15b

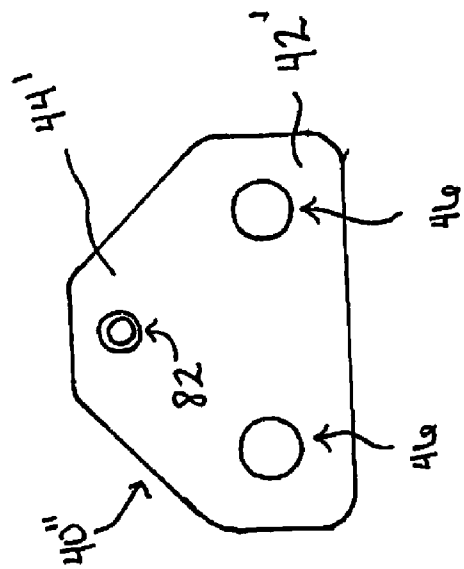


Fig. 15a

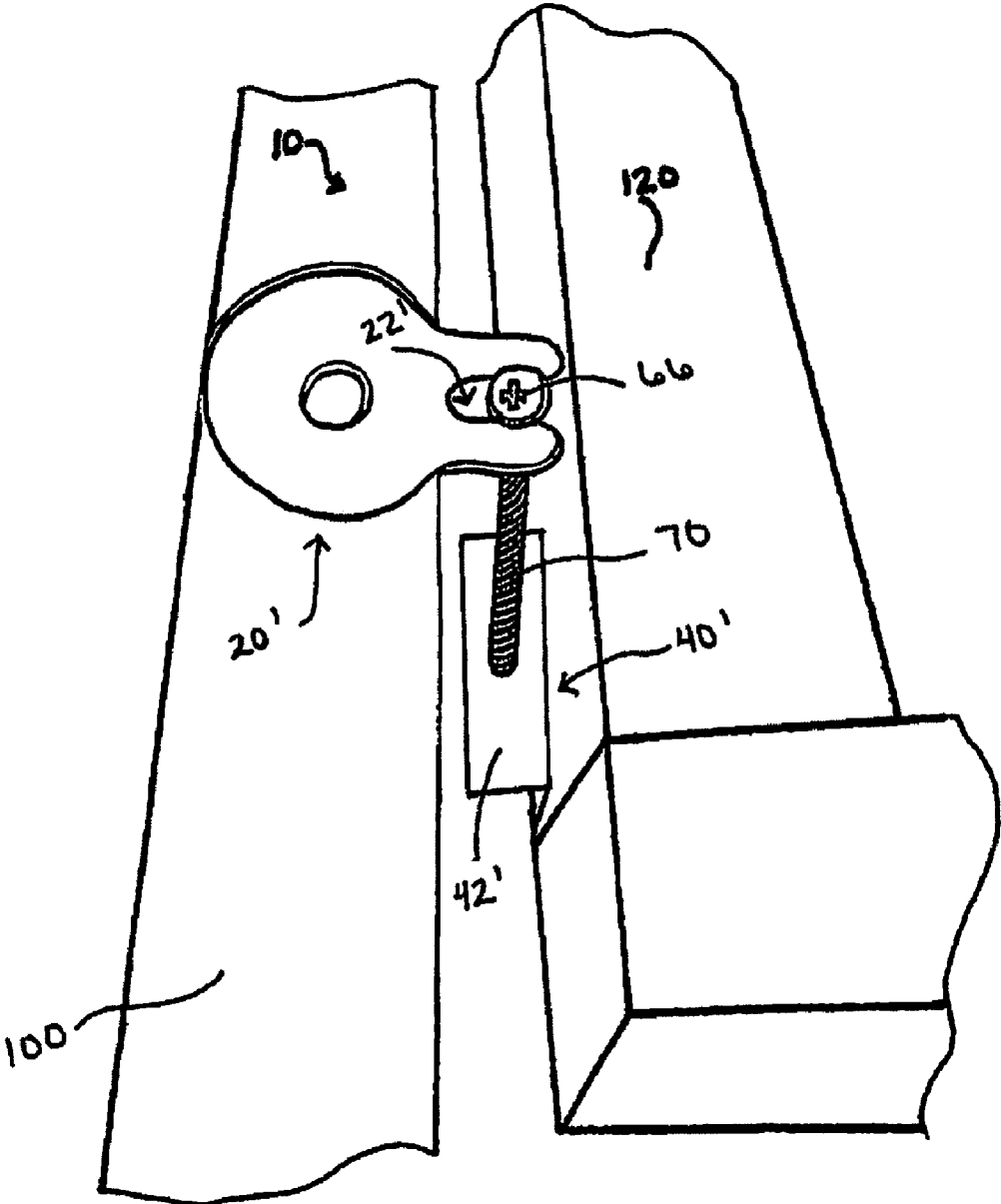


Fig. 16

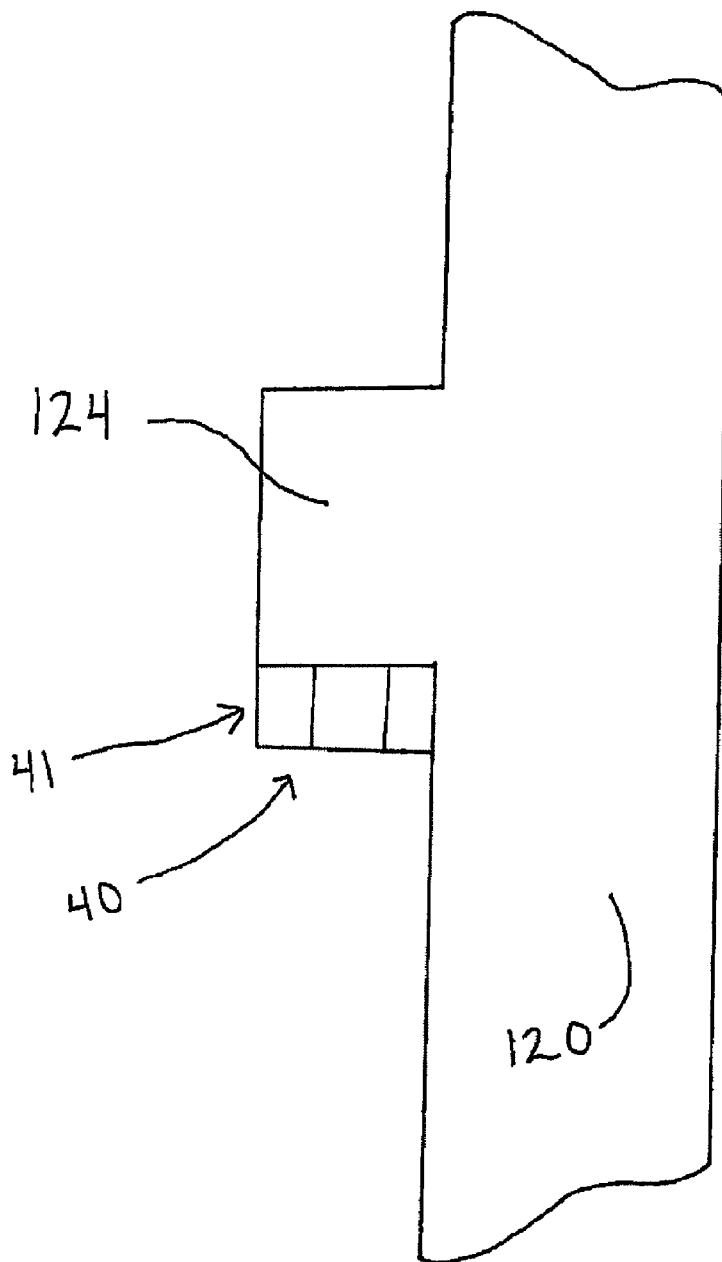


Fig. 17

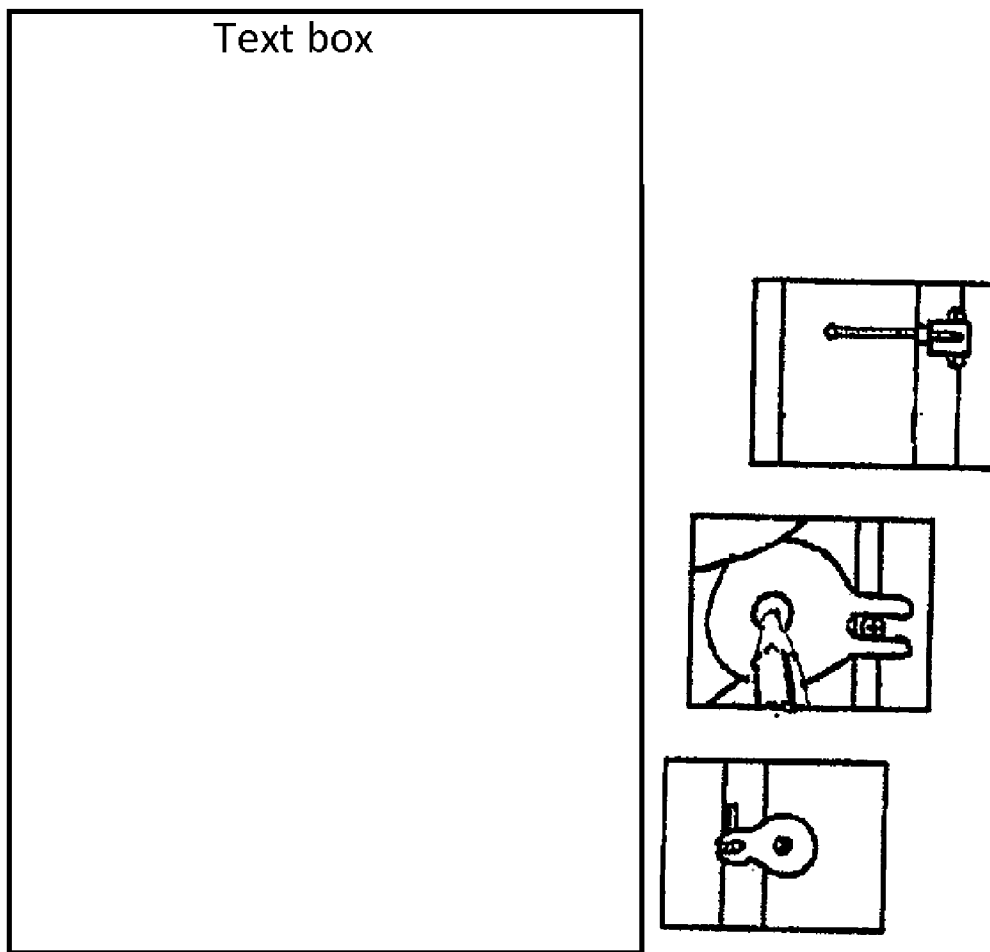


Figure 18

ADJUSTMENT DEVICE AND SYSTEM

[0001] The present application is a continuation-in-part of, and claims priority to, co-pending U.S. patent application Ser. No. 12/706,234, filed on Feb. 16, 2010, which is hereby incorporated by reference as if fully reproduced herein.

BACKGROUND OF THE INVENTION

[0002] 1. Field of the Invention

[0003] This invention is generally directed to an adjustment device. More particularly, the invention is directed to a device for adjusting objects within a frame.

[0004] 2. Background Information

[0005] Doors and windows have been installed in buildings and structures since the invention of buildings and structures and the like. Sometimes the convention of installing doors or windows or other objects in structures includes guesswork as to where to rigidly set a door or a window or other object with respect to a frame structure.

[0006] In a relatively recent development, tools have been used to assist in aligning a door or window or other object within a frame structure. These tools generally require alignment and direct engagement of multiple pieces of the tool to precisely align an object within its frame structure.

SUMMARY OF THE INVENTION

[0007] Although tools exist that may be used in the alignment of a door or window or extension jamb or other object within a frame structure, the inventor has realized improvements thereon. The inventor has realized the existing tools require relatively long manufacturing times due to precise machining operations, long installation times due to particular interactions of the known tools and high raw material costs due to numerous tool parts. The inventor has realized that these detriments of existing window or door or extension jamb alignment tools are unneeded and undesirable in a tool. The inventor has developed a novel tool having low manufacturing times, low raw material costs and low production costs due at least to the use of simple parts that require minimal precision machining. Further, the inventive tool may also have low installation times due at least to simple interactions of the tool parts.

[0008] Generally, an embodiment of the invention may include an insert adjuster that comprises a guide member, a support member, a connector and attaching members. The guide member may be a relatively flat piece that may be attached to a structure frame. The support member may have a first portion orthogonal to a second portion and the first portion may be attached to a window or door or extension jamb or other object. The second portion may have a connector portion for receiving and engaging a connector. The connector may also engage a slot or hole of the guide member.

[0009] An object of the invention is to provide a tool that may be used to easily align a window or door or other object within a frame structure. Simple or easy alignment may include a tool that requires limited direct interaction between tool parts.

[0010] An object of the invention is to provide a tool that may be manufactured using simple material processing methods that are common and, generally, efficient. Such processing may include punching, lathing and other similar processes.

[0011] An object of the invention is to provide a tool that may be easily attached to a window or door or jamb extension and the corresponding frame structure. Such easy attachment may be facilitated, at least, because the guide member and support member may not be required to directly engage each other.

[0012] A further object of the invention is to provide a tool or tool system that may be at least partially attached to a window or door or other object during the manufacturing of the window or door or other object, and thus, the tool may be distributed with the door or window or other object.

[0013] A further object of the invention is to provide a tool that may be distributed as a kit, which has a low cost due to low raw material costs, low manufacturing times and other low cost considerations.

[0014] The above summary of the present invention is not intended to describe each illustrated embodiment, aspect, or every implementation of the present invention. The figures and detailed description that follow more particularly exemplify these and other embodiments and further aspects of the invention.

BRIEF DESCRIPTION OF THE DRAWINGS

[0015] The invention may be more completely understood in consideration of the following description of various embodiments of the invention in connection with the accompanying drawings, in which:

[0016] FIG. 1 is a perspective view of an embodiment of the invention.

[0017] FIG. 2 is a rear view of the embodiment of the invention in FIG. 1.

[0018] FIG. 3 is a top plan view of the embodiment of the invention in FIG. 1.

[0019] FIG. 4 is a side view of the embodiment of the invention in FIG. 1.

[0020] FIG. 5 is a cross-section view taken along line 5-5 in FIG. 4 of an embodiment of the invention.

[0021] FIG. 6 is perspective view of a top feature of the embodiment of the invention in FIG. 1.

[0022] FIG. 7 is a perspective view of a bottom feature of the embodiment of the invention in FIG. 1.

[0023] FIG. 8 is a perspective view of the embodiment of the invention of FIG. 1 in use and in a first position.

[0024] FIG. 9 is a perspective view of the embodiment of the invention of FIG. 1 in use and in a second position with respect to FIG. 8.

[0025] FIG. 10 is a cross-section view taken along line 10-10 in FIG. 9 of an embodiment of the invention.

[0026] FIG. 11 is a cross-section view of a further aspect of the invention having support integrally connected to a facing side of an extension jamb.

[0027] FIG. 12 is a perspective view of features of a further embodiment of the present invention.

[0028] FIG. 13 is a perspective view of a feature of the embodiment of the invention in FIG. 12.

[0029] FIG. 14A is a perspective view of a further aspect of a feature of the invention.

[0030] FIG. 14B is a perspective view of a further aspect of a feature of the invention.

[0031] FIG. 15A is a plan view of a further aspect of a feature of the invention.

[0032] FIG. 15B is a perspective view of a further aspect of a feature of the invention.

[0033] FIG. 16 is a partial perspective view of a further aspect of the invention.

[0034] FIG. 17 is a partial plan view of a further feature of the present invention.

[0035] FIG. 18 is a view of an instruction sheet for providing instruction for use in association with use or installation of the present invention.

[0036] While the invention is amenable to various modifications and alternative forms, specifics thereof have been shown by way of example in the drawings and will be described in detail. It should be understood, however, that the intention is not necessarily to limit the invention of the particular embodiments described. On the contrary, the intention is to cover all modifications, equivalents, and alternatives falling within the spirit and scope of the invention and as defined by the appended claims.

DETAILED DESCRIPTION OF THE INVENTION

[0037] The subject inventive adjustment device and methods of using the adjustment device may take on numerous physical and methodical embodiments within the spirit of the invention and only preferred embodiments have been described in detail below, which are not meant to limit the scope or spirit or both of the invention.

[0038] As shown in FIGS. 1-13, adjuster 10 may comprise guide 20, support 40 and connector 60. Guide 20 and support 40 may be independent of one another, which may mean they do not engage or interact directly except through connector 60. Further, adjuster 10 may also include attaching members 80. Attaching members 80 (of the same or differing sizes) may be utilized for attaching guide 20 to a frame 100 of a building or structure or other object; and for attaching support 40 to an extension jamb 120 of a door or window or other insert. Sometimes frame 100 is referred to as a “trimmer” such as in the case of installing a window. Sometimes extension jamb 120 is referred to simply as a “jamb” of a window or a door. Attaching members 80 may be screws or nails or other known attaching mechanisms. When adjuster 10 is attached to a frame 100 and an extension jamb 120, the device 10 may operate by transferring rotational motion of connector 40 to linear motion of extension jamb 120 with respect to frame 100, or vice versa, allowing for precise adjustment of a window or door with respect to a frame or an object attached to a frame. Further, all parts of adjuster 10 may be made out of the same or different material. Any material may be used to make adjuster 10; for example, plastics, steel, aluminum, etc. may be used to make adjuster 10. Yet further, the parts of adjuster 10 may be formed by simple mechanical processes including, but not limited to lathing, forming, bending, punching and other similar mechanical processes.

[0039] A. Guide

[0040] Guide 20 may have any general shape including a rectangular prism shape, a washer shape or other similar shape. For example, as seen in FIGS. 8-10 guide 20 may be a rectangular prism that lies generally flat on a frame 100 (or a jamb 120 or other similar object (not shown)), having a thickness T (FIG. 2), width W and length L (FIG. 3). Guide 20 may be attached to a single (i.e., one and only one) side 104 of frame 100, as shown in FIGS. 8-11. When guide 20 is attached to the side of frame 100, a portion of guide 20 may over-hang an edge 102 of frame 100. Guide 20 may be generally parallel to the side of frame 100, as in FIG. 10. As shown in FIG. 9, device 10 is used to adjust door or window

jamb 120 within trimmer or frame 100. Jamb 120 is oriented generally vertically and between header 124 and sill plate 126.

[0041] Guide 20 may include guide receiver 22 for receiving a portion of connector 60, such that guide 20 may be oriented perpendicular to connector 60 after connector 60 is received. Guide receiver 22 may take on any shape that is slightly larger than a portion to be received by guide receiver 22 of connector 60. For example, as depicted in FIG. 5, guide receiver 22 has a width or diameter D' and connector 60 has a diameter D", where distance D" is less than distance D'. As seen in FIG. 6, guide receiver 22 may be a hole or notch or indentation in a first end 24 of guide 20. Preferably guide receiver 22 is an open-ended slot 22' running through the thickness of guide 20 as generally shown in FIG. 6. Typically guide 20 defines guide receiver 22. Regardless of shape or size, an open-ended slot, such as slot 22', may be considered a slot having an open portion corresponding to edge 36. It may be appreciated that open-ended slot 22' is an indentation or cut-out that runs through the thickness of guide 20. An open-ended slot 22' of guide receiver 22 allows for simple reception of connector 60 and allows for the easy use of an engaging piece 68 (further discussed below), whether engaging piece 68 is removably connected to connector 60 or is permanently connected to connector 60.

[0042] As mentioned above, guide receiver 22 may have any shape and size; for example, as shown in FIG. 5, guide receiver 22 may be slightly larger than connector 60 so as to be able to receive connector 60, yet still provide meaningful guidance of connector 60. Further, guide receiver 22 may take on any three-dimensional shape of a rectangle, triangle, circle, oval and the like, which has an open portion or side along edge 36. Guide receiver 22 may be four-sided; for example and as shown in FIG. 6, guide receiver 22 is an open-ended slot 22' having a first side, a second side perpendicular to the first side, a third side perpendicular to the second side and parallel to the first side, and a fourth side, which fourth side may be an open side that corresponds to edge 36, perpendicular to first and third sides and parallel to the second side. It may also be appreciated with reference to FIG. 6, that guide receiver 22 of guide 20 is a notch or open-ended slot. The notch or slot of guide receiver 22 may comprise a variety of shapes configured to receive connector 60 within guide 20 via a translating motion. Because guide receiver 22 may comprise an open slot, connector 60 may be received within guide 20 without having to insert a tip end of connector 60 into guide 20. The open slot arrangement may allow engaging piece 68 (See FIG. 4 and FIG. 5, for instance) to be connected to connector 60. Without an open slot 22, it would be difficult to provide a connector 60 with an engaging piece 68 (unless an engaging piece were inserted after connector was inserted into guide 20). Engaging piece 68 together with rotation piece 66 allows for two-way adjustment of guide 20 upon rotation of connector.

[0043] Further, guide 20 may include at least one adjustment path 26. Adjustment path(s) 26 may comprise of a hole through guide 20 and the path(s) 26 may be centered at second end 28 of guide 20. Further, adjustment path 26 may have any shape and may be capable of receiving at least one attaching member 80. For example, as shown in FIGS. 1 and 3, guide 20 may comprise two adjustment paths 26 and an attaching member 80 in each adjustment path 26. Each adjustment path 26 may extend any distance along guide 20. For example, as seen in FIGS. 1, 3 and 6, adjustment paths 26 may extend from

a second end 28 of guide 20 to a middle portion 30 of guide 20. Adjustment paths 26 do not necessarily have to be identical in size and shape, but may be the same size and shape. Adjustment path 26 allows for guide 20 to be adjusted with respect to side 104 of frame 100. The width W of guide 20 may be increased (and so may elongated paths 26) to allow a user an additional range of securing options for desired positioning of guide 20. Allowing a greater variety of positions allows a user to accommodate for different sizes of gaps that may exist between a window frame, for instance, and a window jamb. Guide 20 may be adjusted to any position with respect to frame 100, provided that guide receiver 22 (or at least a portion of guide receiver 22) hangs over an edge 102 of frame 100 so as to allow guide receiver 22 to receive connector 60. In one aspect, guide 20 may over hang edge 102 any distance less than or equal to a distance, D (shown in FIGS. 10 and 11), between extension jamb 120 and frame 100.

[0044] In a further aspect guide 20 may include a washer or other configuration. As shown in FIGS. 12-13, guide 20 is in the form of a washer. In this aspect guide 20 includes a guide receiver 22 which is an elongated slot 22'. Slot 22' may be a cut-out from a standard washer, and is preferably metal but may be made of other material. Slot 22' may also be created by a stamping operation, or other operation, to remove the material of receiver 22 to form the open slot. It may be appreciated that the dimensions of slot 22' may vary. Slot 22' may have a depth such that slot 22' approaches closer to, or farther from, a center hole of washer; or the slot 22' may have a width that receives a connector 60 where the connector 60 is relatively wide or narrow. Guide 20 also preferably includes a screw hole 82, and preferably hole 82 has a countersunk or tapered opening so that the head of an attaching member 80, which may also be tapered, and when inserted through hole 82, will align flush with the top portion 23 of guide 20. It may be appreciated that top portion 23 of guide 20 may be a flat surface and may generally define a guide plane. Guide 20 may include more than one screw hole 82.

[0045] When securing guide 20 to frame 100 it may be desired to countersink guide 20 so that top portion 23 of guide 20 lies flush, or in the same plane as, the side 104 of frame 100. Use of a washer as guide 20 accommodates convenient countersinking alignment since a standard drill bit may be used to prepare frame 100 with the countersunk area. A one inch or other diameter drill bit may be used to prepare the region on frame 100 with a countersunk area for placement of guide 20. It may be appreciated that guide 20 may include a distal end 25 that is positioned opposite slot 22'. Distal end 25 may be positioned flush with frame back face 106, or may overhang back face 106 slightly (i.e., may be "off-set") as shown in FIG. 13. A user may wish to position guide 20 on frame 100 with a slight off-set as in FIG. 13 so that attaching members 80 align closer toward a middle of frame 100 to lessen the likelihood that a member 80 would cause splitting of frame 100 (in the case where frame 100 is made of wood or other material). It may be appreciated that different sizes of guide 20 and washers 20 may be used to accommodate different thicknesses of frames 100 and different gaps that are present between frame 100 and extension jambs 120 of an object, such as window casing 121 (which may include an entire window) to be positioned and properly aligned within frame 100.

[0046] In a further aspect guide 20' may include a "washer-type" shape or modified washer or other configuration. As shown in FIGS. 14A, 14B, and 16, guide 20' is in the form of

a washer having tongs 38. Tongs 38 define a guide receiver 22 which is an elongated slot 22'. Tongs 38 extend from a washer-like base and are preferably integrally formed with the base. Slot 22' may also be created by a stamping operation, or other operation, to remove the material of receiver 22 to form the open slot. It may be appreciated that the dimensions of slot 22' may vary. Slot 22' may have a depth such that slot 22' approaches closer to, or farther from, a center hole of washer; or the slot 22' may have a width that receives a connector 60 where the connector 60 is relatively wide or narrow. Slot 22' as shown in FIG. 14 accommodates receiving piece 70 in a variety of positions since piece 70 may slide within slot 22' to a position closer to or further from screw hole 82 (while still being engaged within slot 22'). Slot 22' accommodates for greater variety of adjustment. Guide 20 also preferably includes a screw hole 82, and preferably hole 82 has a countersunk or tapered opening so that the head of an attaching member 80, which may also be tapered, and when inserted through hole 82, will align flush with the top portion 23 of guide 20. It may be appreciated that top portion 23 of guide 20' may be a flat surface and may generally define a guide plane.

[0047] B. Support

[0048] Support 40 may have any general shape, for example, as seen in at least FIGS. 1, 4 and 7-10, support 40 may have a first portion 42 generally orthogonal to a second portion 44. First portion 42 and second portion 44 may be formed from a single piece of material (e.g., through a bending process - see an L-shaped bracket) or each portion 42, 44 may be a separate piece of material rigidly connected. If portions 42, 44 of support 40 are made from separate pieces of material, the portions 42, 44 may be connected by any known connection means that creates a strong connection; for example, a welding means. Generally, first portion 42 may be any shape or size. First portion 42 may be any size; for example, as seen in FIGS. 2 and 10, first portion 42 may be a size (e.g., height H', length L') that fits within a perimeter of facing side 122 of extension jamb 120 (or a frame 100 or other similar object). It may be appreciated that second portion 42 includes an upper surface that generally defines a support plane. In one aspect support plane and guide plane may be oriented in a substantially parallel relationship.

[0049] In one aspect, portion 44 of support 40 may be of a generally planar dimension and may receive connector 60 in a generally perpendicular orientation with respect to portion 44 (i.e., when connector 60 is engaged with support 40, connector 60 is generally perpendicularly oriented with respect to support 40). Guide 20 may also be of a generally planar dimension and receive connector 60 in a generally perpendicular orientation with respect to guide 20 (i.e., when connector 60 is engaged with guide 20, connector 60 is generally perpendicularly oriented with respect to guide 20).

[0050] First portion 42 of support 40 may be attachable to extension jamb 120, or other portion, of a door or window or other insert object. First portion 42 may include at least one attaching hole 46 that may be able to receive an attaching member 80. Attaching hole 46 may be elongated to allow for desired adjustment of support 40. Attaching member 80 may be received through attaching hole 46 and inserted into extension jamb 120, for example. Attaching member(s) 80 may work to hold support 40 in place with respect to extension jamb 120.

[0051] Second portion 44 may be orthogonal with respect to first portion 42 and second portion may extend toward

frame 100 from extension jamb 120. Generally, second portion 44 may be any shape and size; for example, second portion 42 may be any size (e.g., width W' , length L' , as seen in FIG. 3) where length L' is within the perimeter of facing side 122 and greater than diameter D'' , and width W' is less than or equal to distance D and greater than diameter D'' (See FIG. 5). Further, W' (See FIG. 3) of second portion 44 may be minimized to allow for the smallest possible distance D (or the "gap") between extension jamb 120 and frame 100, as adjusted by adjusting the placement of guide 20 on side 104 of frame 100.

[0052] Second portion 44 may include a connector portion 48. Connector portion 48 may be such a shape and size as to be able to receive connector 60. For example, connector 60 may be a round threaded object and connector portion 48 may be a threaded hole defined in second portion 44 to receive connector 60 through rotational motion of connector 60. Connector portion 48 may be a threaded hole positioned a depth " Z " (See FIG. 7) from an edge of second portion 44. Open ended slot 22' may be cut within guide 20 such that a corresponding depth Z' exists between edge of frame 100 and bottom portion of slot 22' (See FIG. 13). Where depth Z is substantially equal to depth Z' , second portion 44 will abut an inside surface of frame 100 such that threaded hole 48 aligns with slot 22'. Thereafter connector 60 may be positioned in alignment between hole 48 and slot 22'. It may be appreciated that depth Z need not always equal depth Z' for proper operation.

[0053] Further, in another embodiment, support 40 may comprise single portion 50, as seen in FIG. 11, integrally connected to extension jamb 122. Single portion 50 may be inserted into, or attached to, a window or door or extension jamb or similar other object. For example, single portion 50 may be inserted into a slot in an extension jamb. Single portion 50 may have any shape or size or dimensions; for example, a part of single portion 50 extending from extension jamb 120 may have similar or identical purposes, features and sizes as second portion 44. Single portion 50 may include a connector portion 48 such as a threaded hole.

[0054] In one aspect, single portion 50 may be integrally formed with, or on to, extension jamb 120. Where extension jamb 120 alternatively comprises a metal component of a window, single portion 50 may be a tab formed therein such that single portion 50 may be bent into position (or extends) from jamb 120 to extend outwardly as generally depicted in FIG. 11. In similar fashion, second portion 42 may actually comprise a component of a window or like product (i.e., be integrally formed thereto) where single portion 50 is a tab that is bent outward (or extends) from portion 42 in order to fastener 60. The side of a window or other product may contain a series of single portion 50 which may be bent to accommodate receipt of fastener 60. Different sized single portions 50 may be used to accommodate for different sizes of gaps that may exist between jamb 120 and frame 100. Different sized single portions 50 having different sized connector portions 48 to receive connectors 60 having a variety of diameters may also be used. A window or other product may be manufactured with a series of single portions 50 or tabs that can be selectively bent into orthogonal position to accommodate use under a variety of circumstances and with a variety of hardware parts. Such portions 50 may be of varying dimension to accommodate bending such that portions 50 extend from jamb 120 at varying lengths in order to match

different gaps or distance D between frame and jamb 120. Portions 50 may include pre-threaded holes 48' or holes 48 may be self-tapping.

[0055] In a further aspect support 40' may include a flat base with a threaded nut as generally shown in FIG. 14B. In yet a further aspect as shown in FIG. 15B, support 40'' may include a first portion 42' with second portion 44'. Support 40'' may start as a single flat piece as shown in FIG. 15A, and then second portion 44' may be bent into position as shown in FIG. 15.

[0056] In a further aspect support 40 may comprise a threaded hole positioned into jamb 120. As shown in FIG. 17, jamb 120 includes support 40. Support 40 may comprise a threaded nut 41, or may comprise a threaded hole positioned in a jamb extension 124. Jamb extension 124 may be an extension attached to jamb 120 or may be integrally connected to jamb 120. In one aspect nut 41 may be glued or friction fit within extension 124. Alternatively jamb 120 defines threaded hole 82. Multiple supports 40 may be included on a jamb 120 during manufacture of jamb 120 or assembly of casing 121.

[0057] C. Connector

[0058] Connector 60 may be utilized to connect guide 20 with support 40. Connector 60 may be any shape or size that is able to adjustably connect guide 20 with support 40. For example, connector 60 may comprise an elongated threaded piece 70, as seen in FIGS. 1, 2, 4, 5 and 8-11. Piece 70 may be partially or fully threaded. At a first end 62 of connector 60, connector 60 may engage guide receiver 22 of guide 20. First end 62 may include a rotation piece 66 and an engaging piece 68. Rotation piece 66 may be any shape and size. For example, as seen in FIG. 5, rotation piece 66 may have a diameter or width D'' , that is greater than a width or diameter D' of guide receiver 22 so as to not allow rotation piece 66 to pass through guide receiver 22 or open slot 22'. In one instance rotation piece 66 may include a screw head or a nut head or other aspect allowing for rotation. Engaging piece 68 may be spaced from rotation piece 66 by any distance. For example, engaging piece 68 may be spaced from rotation piece 66 a distance greater than a thickness T of guide 20, as shown in FIG. 2. Both engaging piece 68 and rotation piece 66 are preferably integrally formed as part of connector 60. Engaging piece 68 and/or rotation piece 66 may also be added to an elongated threaded piece 70 of connector 60, or combinations thereof may be integrally formed or later-added. An example of an added engaging piece 68 connected to connector 60 may include a set of nuts such as a double nut stop (i.e., two nuts that abut each other) that threadably engage the elongated threaded piece 70. It may be appreciated that rotation piece 66 and engaging piece 68 may both engage guide 20. In a further aspect, as shown in FIG. 14B, rotation piece 66 and engaging piece 68 define a gap 67. Guide 20, and in one aspect tongs 38, fit within gap 67. Preferably gap 67 spans between head or rotation piece 66 and engaging piece 68 a distance that is greater than thickness T of guide 20. In one aspect, for instance gap 67 may measure about 0.10 inches and thickness T may measure about 0.05 inches, or more preferably gap 67 may measure about 0.090 inches or less and thickness T may measure about 0.060 inches or greater. In operation, when a user rotates rotation piece 66 in a clockwise direction, head or piece 66 abuts guide 20 and causes fastener to thread within screw hole 82, thereby causing jamb 120 to move toward rotation piece 66. Where rotation piece 66 is rotated counterclockwise, engaging piece 68 abuts guide 20,

causing jamb 120 to adjust or move away from rotation piece 66. A user may thereby adjust the depth or position of jamb 120 relative to frame 100. It may be appreciated that jamb 120 may be adjusted such that it extends past frame 100 and inward to a room where a window is being positioned.

[0059] Connector 60 may have a second end 64 that may threadably engage support 40 through threaded connector portion 48. When connector 60 is inserted in guide receiver 22 and is threadably engaging connector portion 48, rotational movement of connector 60 causes linear movement of support 40 with respect to guide 20. Further, rotation piece 66 and engaging piece 68 assist in engaging guide 20 by abutting top side 32 and bottom side 34 of guide 20, respectively. Such abutment and engagement of connector 60 with portion 48 allows for two-direction lateral movement of the extension jamb or frame depending on the direction of rotational movement of connector 60. Second end 64 may also be configured to be self-tapping within connector portion 48.

[0060] In a further aspect, as shown in FIG. 16, guide 20' is positioned (preferably countersunk) on frame 100 with a fastener (such as a screw, not shown). Elongated threaded piece 70 having rotation piece 66 and engaging piece 68 is inserted within slot 22'. Support 40' is positioned on jamb 120 such that threaded hole 82 receives threaded piece 70. A user may rotate rotation piece 66 either clockwise or counter-clockwise to adjust the position of jamb 120 relative to frame 100. It may be appreciated that elongated slot 22' accommodates to receive piece 70 where a gap varies between jamb 120 and frame 100. It may also be appreciated that guide 20' is configured for rotation about threaded hole 82 so that tongs 38 may project upward or downward as preferred or in order for slot 22' to align with and receive fastener 70.

[0061] D. Operation of Adjustment Device

[0062] In operation of adjuster 10, support 40 may be attached to extension jamb 120; guide 20 may be attached to frame 100; and connector 60 may slidably (e.g., through horizontal or vertical or both movement) engage guide 20 and threadably engage support 40. Support 40 may be attached to facing side 122 of extension jamb 120 by inserting attaching member(s) 80 (i.e., screws) through attaching hole(s) 46 and inserting attaching member(s) 80 into facing side 122 or by directly inserting support 40 into facing side 122. Alternatively, single member 50 may be bent into perpendicular position to accommodate insertion of connector 60. Guide 20 may be attached to side 104 of frame 100 by inserting attaching members 80 through adjustment paths 26 (or screw holes 82) and into side 104, at a desired location within adjustment paths 26 and side 104. Prior to tightening attaching members 80, which are to engage guide 20, guide 20 may be desirably aligned with respect to edge 102, support 40 and connector 60. After guide 20 is properly aligned, attaching members 80 may be tightened into side 104. Preferably, guide 20 is positioned such that slot or receiver 22 overhangs edge 102 and preferably receiver 22 aligns with threaded connector portion 48. Alternatively, a drill-bit or other tool may be used to prepare a counter-sunk region to receive washer-like guide 20. In one aspect, guide 20 may be countersunk by preparing frame 100 with a 1/4 inch drill bit at a depth of about 1/8 inches. Countersinking also provides a pilot hole for insertion of a fastener through screw hole 82.

[0063] After or before, or both, guide 20 is attached to frame 100 and support 40 is attached in a desired allocation to extension jamb 120, support 40 may be aligned with guide 20. Support 40 may be considered to be in alignment with guide

20 when guide 20 is generally parallel to second portion 44 or single portion 50 of support 40 and when guide receiver 22, and particularly slot 22' of guide 20 overlaps or aligns with connection portion 48 of support 40. FIG. 5 depicts one instance where guide receiver 22 overlaps or aligns with connection portion 48.

[0064] After support 40 and guide 20 are attached to an extension jamb 120 and frame 100, respectively, and aligned, connector 60 may then be used to linearly adjust support 40 with respect to guide 20. Connector 60 may be slid into guide receiver 22, where a portion of the elongated threaded (or unthreaded portion) piece 70 located between rotation piece 66 and engaging piece 68 is engaged with slot 22'. When connector 60 is inserted into guide 20, rotation piece 66 may abut a top side 32 of guide 20 and engaging piece 68 may abut a bottom side 34 of guide 20, as shown in FIG. 2. There is no requirement that both engaging piece 68 and rotation piece 66 abut guide 20 simultaneously.

[0065] After sliding connector 60 into guide 20, or before, connector 60 may threadably engage connector portion 48 of support 40. It is often convenient for connector 60 to be threaded within threaded hole 48 prior to engagement within slot 22'. When connector 60 is aligned with connector portion 48, rotation piece 66 of connector 60 may be rotated by a tool or by hand so that connector threadably engages connector portion 48. Such rotation, in a first direction, of connector 60 and the engagement with support 40, causes linear movement of support 40 and extension jamb 120 toward guide 20. Rotation of rotation piece 66 and connector 60 in a second direction, opposite the first direction, causes linear movement of support 40 and extension jamb 120 away from guide 20. Such rotational movement transferred to linear movement may allow for precise stable adjustment of windows or doors with respect to the frames to which they are inserted. This operation may allow for convenient in/out adjustments of the windows within a frame and reduces the problem of guesswork and improves speed and accuracy of construction. Thus, a window or a door or other object may be positioned so as to have an interior or exterior side flush with an exterior or interior side of a frame, or the window or door or other object may be set to have a recess of desired depth with respect to an interior or exterior of the frame. It may be appreciated that jamb 120 may be positioned with respect to frame 100 such that jamb 120 projects outward (i.e., into a room) a distance of about 1/2" (more or less as desired) to accommodate for sheeting and/or trim to be applied to frame 100.

[0066] Adjuster 10 may be used by itself or in combination (e.g., FIGS. 8 and 9, 12 and 16) with other adjusters 10 to adjust the placement of a window or door or other object(s) with respect to a frame, as described above. In one similar method of use, at least two adjusters 10 may be used to align the window or door with a frame. In an embodiment, when two adjusters are used, a first adjuster 10 may be placed on a first vertical jamb of a window and a second adjuster 10 may be placed on a second vertical jamb of the window. The first vertical jamb may be spaced a distance from the second vertical jamb. Further, the first vertical jamb may be substantially parallel to the second vertical jamb. Of course, any number of adjuster may be used, as desired. The use of multiple adjusters 10 on multiple parallel vertical jambs may allow for each side of a door or window or object to be aligned at the same location with respect to a frame. FIG. 18 shows instructions that may be used in association with or as part of the present invention.

[0067] The terms and descriptions used herein are set forth by way of illustration only and are not meant as limitations. Those skilled in the art will recognize that many variations are possible within the spirit and scope of the invention as defined in the following claims, and their equivalents, in which all terms are to be understood in their broadest possible sense unless otherwise specifically indicated. While the particular ADJUSTMENT DEVICE AND SYSTEM as herein shown and described in detail is fully capable of attaining the above-described aspects of the invention, it is to be understood that it is the presently preferred embodiment of the present invention and thus, is representative of the subject matter which is broadly contemplated by the present invention, that the scope of the present invention fully encompasses other embodiments which may become obvious to those skilled in the art, and that the scope of the present invention is accordingly to be limited by nothing other than the appended claims, in which reference to an element in the singular is not intended to mean "one and only one" unless explicitly so stated, but rather "one or more." Moreover, it is not necessary for a device or method to address each and every problem sought to be solved by the present invention, for it to be encompassed by the present claims. Furthermore, no element, component, or method step in the present disclosure is intended to be dedicated to the public regardless of whether the element, component, or method step is explicitly recited in the claims. No claim element herein is to be construed under the provisions of 35 U.S.C. section 112, sixth paragraph, unless the element is expressly recited using the phrase "means for."

What is claimed is:

1. An adjusting device for adjusting an object within a door or window frame, said device comprising:
 - a guide having an open-ended slot;
 - a support connectable to the object and independent of said guide;
 - an elongated threaded connector having a first end capable of engaging said open-ended slot; and
 - a second end of said elongated threaded connector capable of engaging said support.
2. The device of claim 1 where said guide has a washer-type shape having a receiver defining said open-ended slot.
3. The device of claim 2 where said guide has tongs projecting therefrom and defining said open-ended slot.
4. The device of claim 1 where said connector includes a rotation piece positioned at a terminal end of said connector and an engaging piece positioned on said connector in a spaced relationship with respect to said rotation piece.
5. The device of claim 4 where rotation of said connector in a clockwise direction causes said rotation piece to abut said guide and reduces a distance between said rotation piece and said support.

6. The device of claim 5 where rotation of said connector in a counter-clockwise direction causes said engaging piece to abut said guide and increases the distance between said rotation piece and said support.

7. An adjustment system for adjusting a window or door casing within a framed opening having at least one frame, said system comprising:

- a casing having a jamb;
- a support connected to said jamb;
- a guide connected to the at least one frame; and
- an elongated threaded connector slidably engaging said guide and threadably engaging said support where rotational movement of said connector provides linear movement of said support with respect to said guide.

8. The system of claim 7 where said casing houses a window.

9. The system of claim 7 where said support is integrally connected to said jamb.

10. The system of claim 7 where said connector includes a rotation piece positioned at a terminal end of said connector and an engaging piece positioned on said connector in a spaced relationship with respect to said rotation piece.

11. The system of claim 7 where said guide has a washer-type configuration including an open-ended slot.

12. The system of claim 7 where said guide includes tongs defining said open-ended slot.

13. The system of claim 7 where said connector engages said support at a threaded hole, said support having a first portion and a second portion, said second portion defining said threaded hole.

14. The system of claim 13 where said guide has a washer-type configuration having an open-ended slot and where said guide has a top portion which generally defines a guide plane, and where said second portion generally defines a support plane, said guide plane oriented substantially parallel with said support plane.

15. The system of claim 13 where said connector includes a rotation piece positioned at a terminal end of said connector and an engaging piece positioned on said connector in a spaced relationship with respect to said rotation piece.

16. The system of claim 7 where said guide is countersunk within said frame.

17. The system of claim 7 where said support comprises a threaded hole.

18. The system of claim 17 where said support comprises a first portion and a second portion, said second portion oriented generally perpendicular to said first portion.

19. The system of claim 17 where said jamb defines said threaded hole.

20. A method of adjusting a jamb with respect to a frame comprising utilizing the system of claim 7.

* * * * *